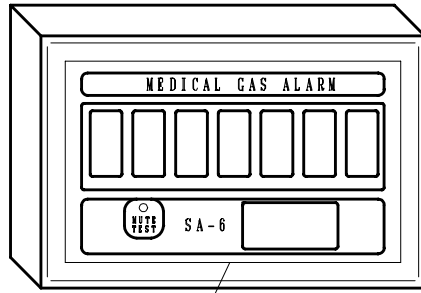


CHECK 'LINK'
'SO' to 'SM'



SA-6 AREA ALARM

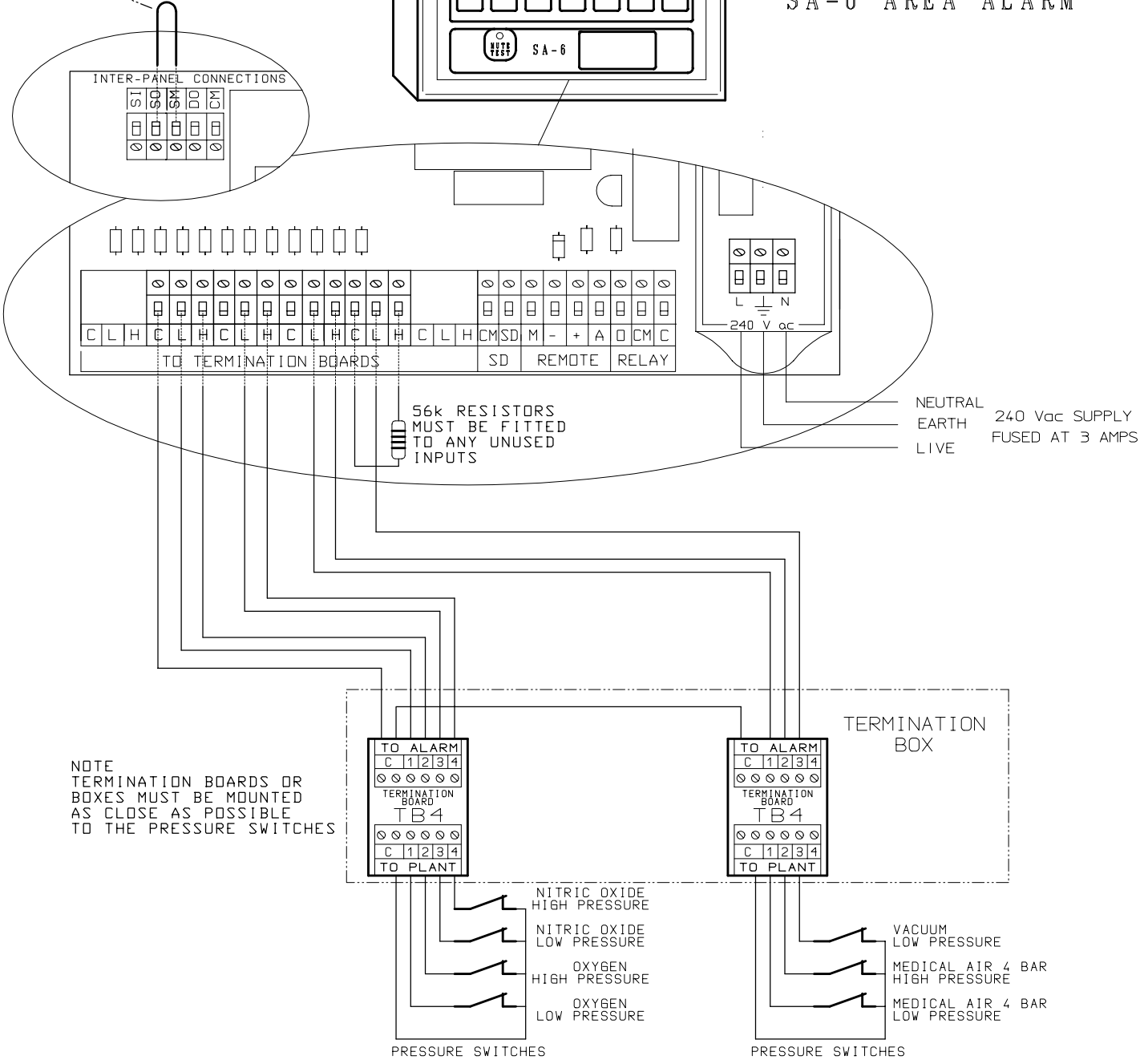
Shire Controls Ltd

Title

SA-6 4 GAS AREA ALARM

Drawing No SA4G

Date 03-04-97 Issue 1



NOTE

ALL SIGNAL CABLE TO BE A MINIMUM OF 0.5 mm sq SCREENED / S.W.A / OR IN METAL CONDUIT. ALL JUNCTION BOXES MUST HAVE THE SCREENS CONNECTED THROUGH

NOTE
TERMINATION BOARDS OR BOXES MUST BE MOUNTED AS CLOSE AS POSSIBLE TO THE PRESSURE SWITCHES

PRESSURE SWITCHES

PRESSURE SWITCHES