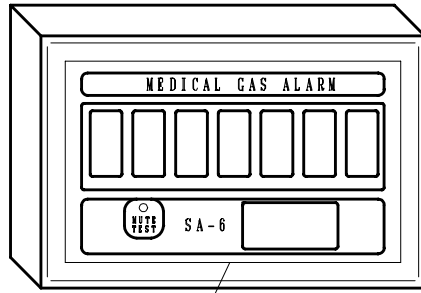


CHECK 'LINK'  
'SO' to 'SM'



# SA-6 AREA ALARM

*Shire Controls Ltd*

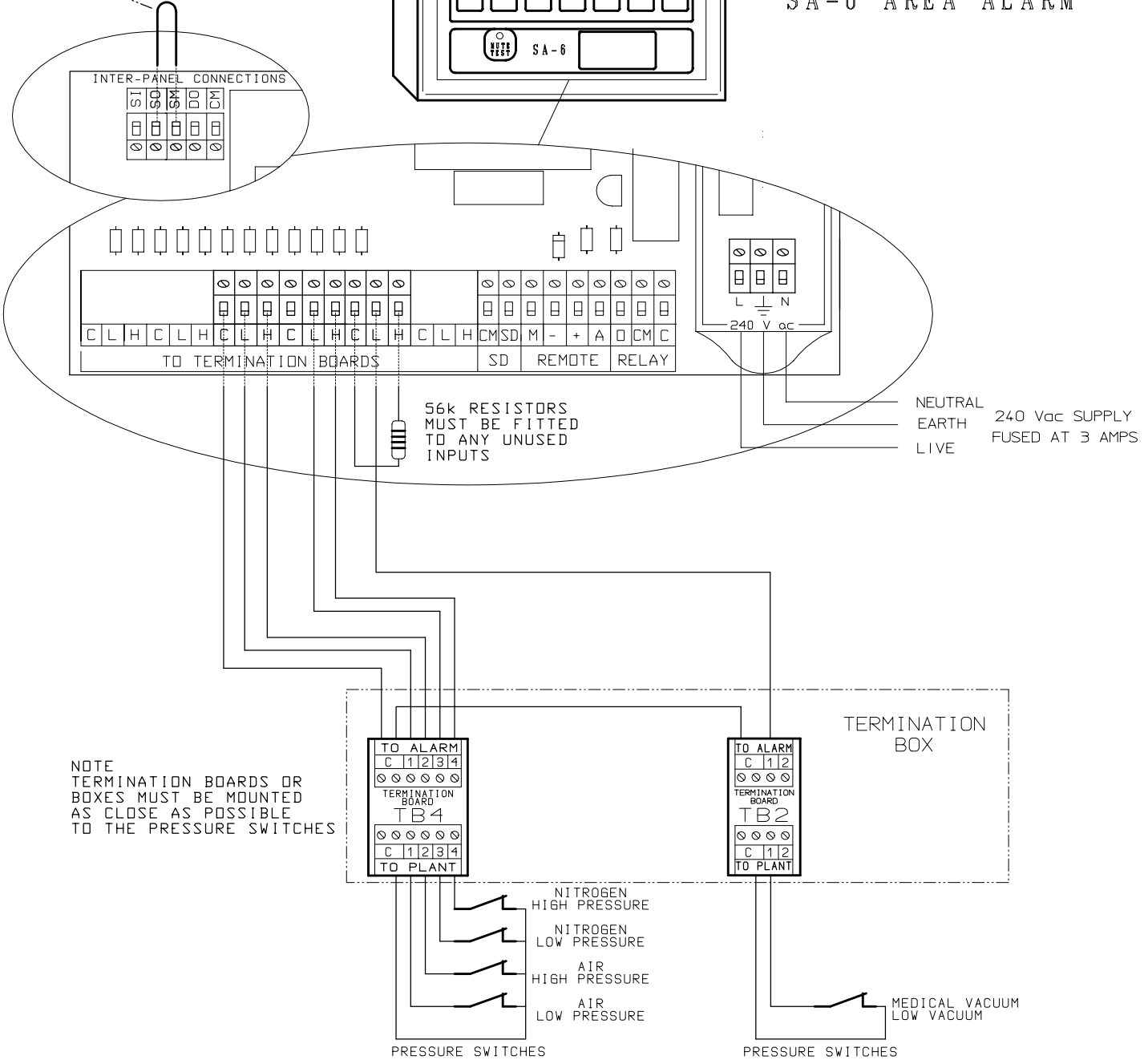
Title

SA-6 3 GAS AREA ALARM

Drawing No SA3G

Date 13-01-98

Issue 1



NOTE  
TERMINATION BOARDS OR  
BOXES MUST BE MOUNTED  
AS CLOSE AS POSSIBLE  
TO THE PRESSURE SWITCHES

### NOTE

ALL SIGNAL CABLE TO BE A MINIMUM  
OF 0.5 mm sq SCREENED / S.W.A /  
OR IN METAL CONDUIT.  
ALL JUNCTION BOXES MUST HAVE  
THE SCREENS CONNECTED THROUGH