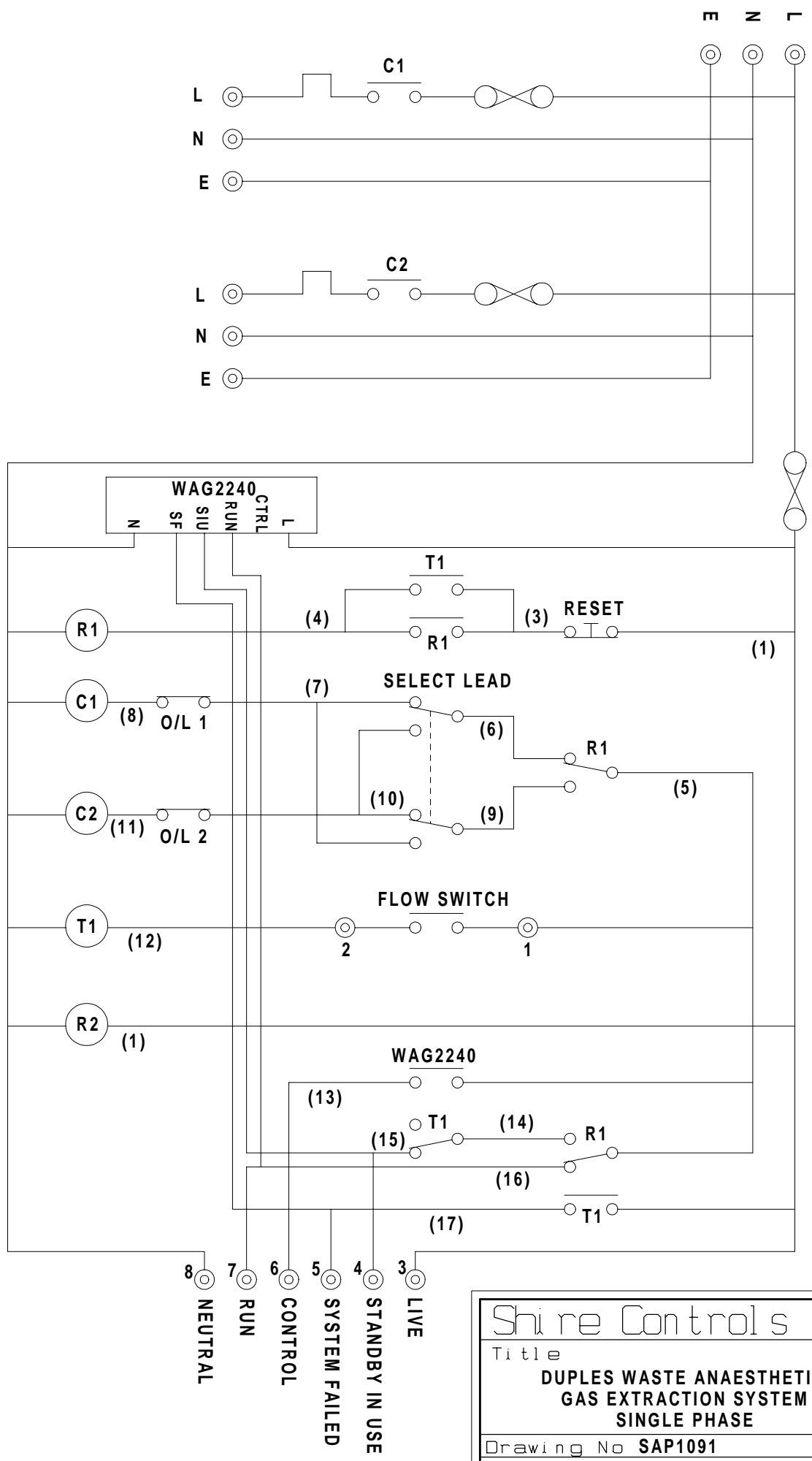


SYSTEM FAILED
ALARM CONTACTS 10 (18) T1 (19) R2 (20) 9
STANDBY IN USE
ALARM CONTACTS 12 (21) R1 (22) 11



Shire Controls Ltd	
Title	
DUPLES WASTE ANAESTHETIC GAS EXTRACTION SYSTEM SINGLE PHASE	
Drawing No	SAP1091
Date	12-02-90
Issue	1