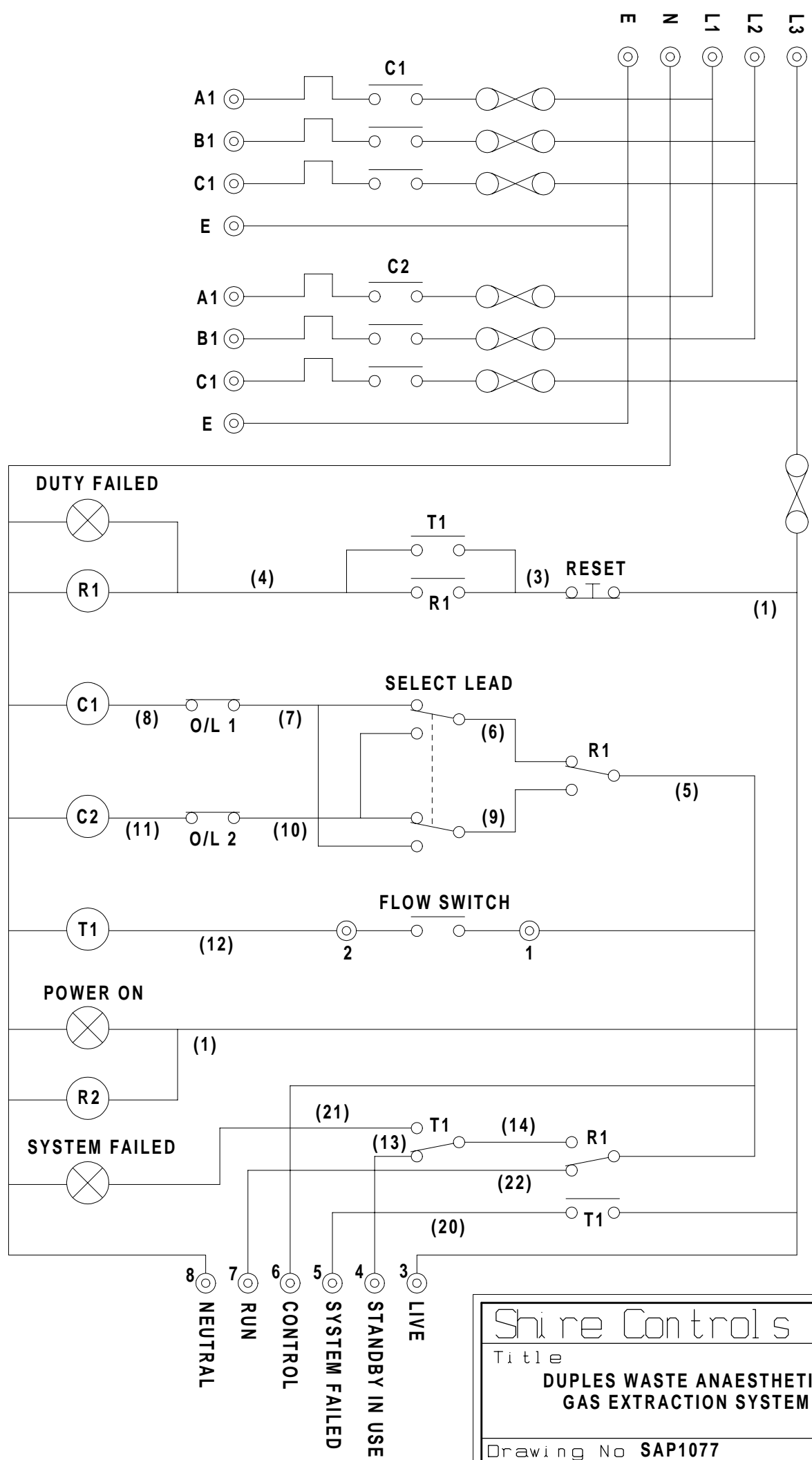


**SYSTEM FAILED**  
**ALARM CONTACTS** 10 (17) T1 (16) R2 (15) 9  
**STANDBY IN USE**  
**ALARM CONTACTS** 12 (19) R1 (18) 11



Shire Controls Ltd	
Title	
<b>DUPLEX WASTE ANAESTHETIC          GAS EXTRACTION SYSTEM</b>	
Drawing No	<b>SAP1077</b>
Date	<b>29-05-89</b>
Issue	<b>1</b>